



# ATO77 TWO POST LIFT

7,700 lbs. CAPACITY

## SPACE SAVING ASYMMETRIC LIFT

Rotary's ATO77 offers maximum drive-through clearance with minimum external dimensions. 14.5" narrower than a standard two post lift - 10' 3" width fits in a 11' bay.

**The asymmetrical design of the posts and supporting arms provide a spacious pick-up area, allowing the lift to be entered from either side.**

Power unit mounts on either side of lift. Enter vehicles from either front or back of lift for custom installation needs.

## FEATURES

- 7,700 lbs. capacity
- 3-stage front arms / 2-stage rear arms with thread-up RA adapters
- Four (4) each adapter extensions at 3 1/2" and 5 1/8"
- Multi-position wheel spotting dish
- ALI Gold Certified

### ATO77

Lift available in blue only

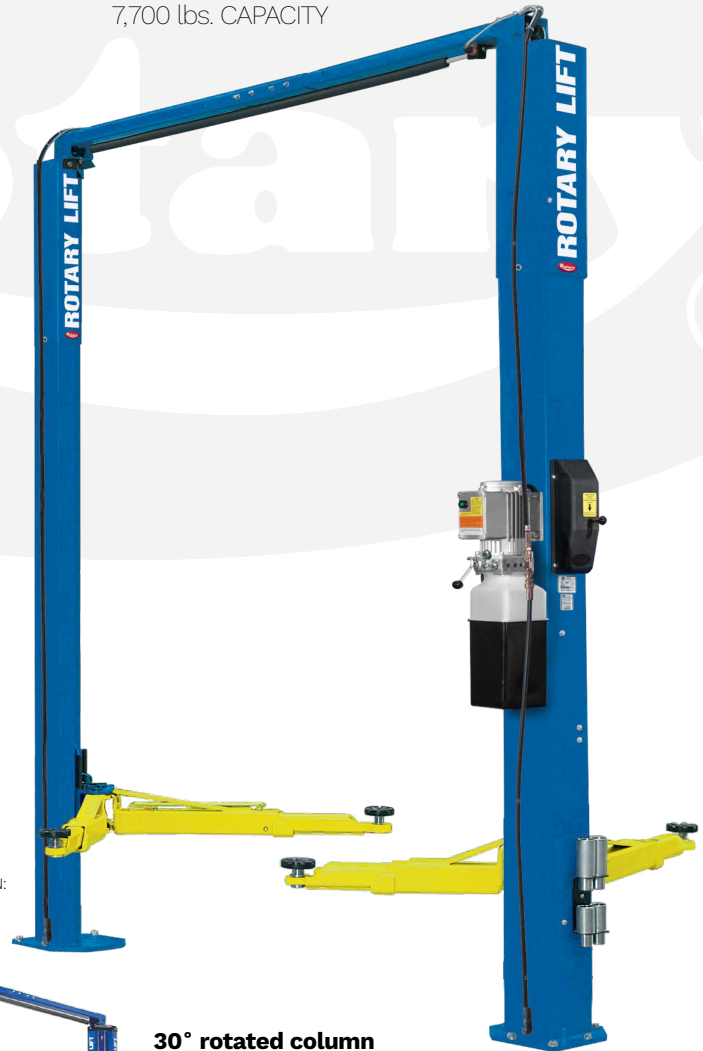
**3-STAGE FRONT ARMS  
2-STAGE REAR ARMS  
Round Adapters (RA)  
SPOA7N5LOBL**

STANDARD	SPOA7N5LOBL
Rise*	71 3/4" - 74"
Overall Height	11' 8 1/8"
Overall Width	10' 2 7/8"
Drive-thru	92 1/8"
Inside Columns	100 5/8"
Front Arm Min/Max	21 1/8" / 43 1/2"
Rear Arm Min/Max	32" / 58 1/8"
Min Adapter Height	3 3/4"
Min Bay Size	11' X 24'
Ceiling Height Min	12'
Motor / Voltage	2 HP, 208-230V
Time of Rise	45 seconds
Time of Descent	40 seconds

\* Rise measures lowest and highest position of the supplied adapters from floor to full cylinder stroke



MODEL SHOWN:  
ATO77N000



**30° rotated column design allows for greater open door clearance.**

## Rotary Lift

2700 Lanier Drive / Madison, IN 47250, USA

rotarylif.com     

### North / South America Information

Sales: 800.640.5438  
userlink@rotarylif.com

Tech. Support: 800.445.5438  
techlink@rotarylif.com

### Global Contact Information

USA: 1.812.273.1622

Canada: 1.905.812.9920

Latin America / Caribbean: 1.812.273.1622

Brazil: +55.11.4534.1995

Government Sales: 800.445.5438 X5655

For additional information: rotarylif.com/Government-Purchasing-Assistance/

Lit# Rotary ATO77 Cutsheet.2019.11

©2019 VEHICLE SERVICE GROUP™, Printed in U.S.A., All Rights Reserved. Unless otherwise indicated, ROTARY, VEHICLE SERVICE GROUP™, DOVER and all other trademarks are property of Dover Corporation and its affiliates.

Product specifications, part numbers, images and component descriptions are subject to change without notice or liability.